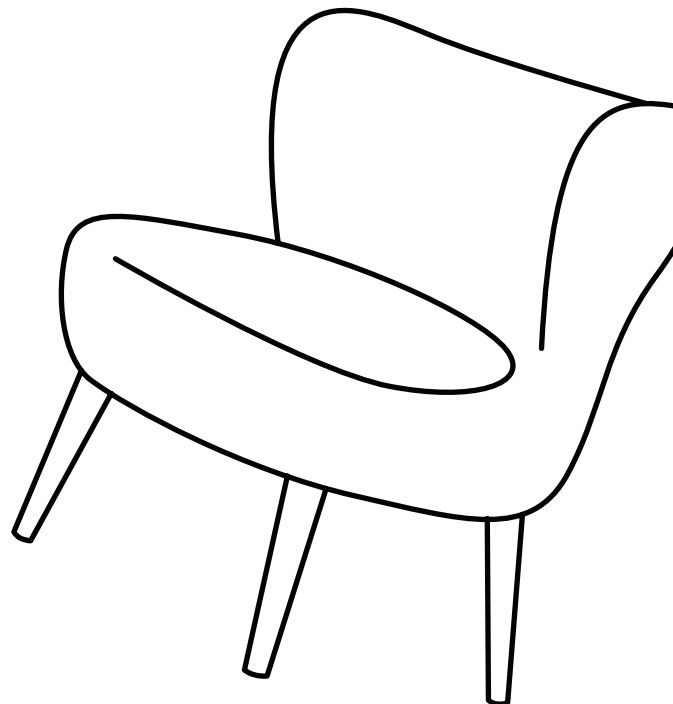
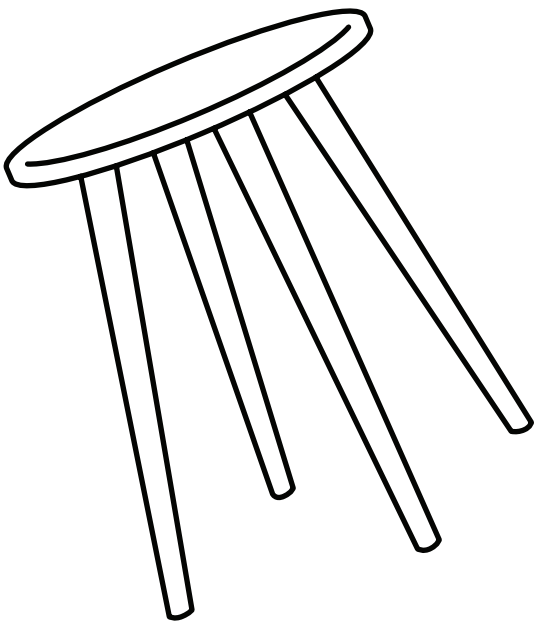


Hello, I've arrived!

Now that I'm here you are only one flat-pack away from transforming your home.



Mocka.

Thank you for supporting us.

We believe design belongs to everyone. From materials and processes to safety testing, production and delivery, we are passionate and committed to bringing you the best possible product so you can create beautifully functional spaces to feel comfortably you.

Here are a few assembly tips before you get started:



Make Time

The first step to all seamless assembly is taking a moment to carefully read through the instructions—you are already on your way to creating a beautifully functional space!



Set The Mood

Put on your favourite playlist, order that pizza and pour yourself a drink to get in the mood!



Tool Check

Layout the instructions, screws and panels to check you have everything you need. A blanket or soft floor rug will help protect your new favourite item from scratches and a drill will speed up the assembly too!



Room Reveal

You did it! Take a step back and enjoy the moment. Don't forget to recycle any packaging and share a pic of your room reveal—we love seeing how you transform your home! **Tag us @mockaaustralia/@mockaanz**

Happy flat-packing!

The Mocka Team

Need help? Our Support Team are available via live chat, email or phone. Visit our website for details.

AUSTRALIA

+61 7 3184 8466

Our phone lines are available
weekdays 9am to 5pm AEST



NEW ZEALAND

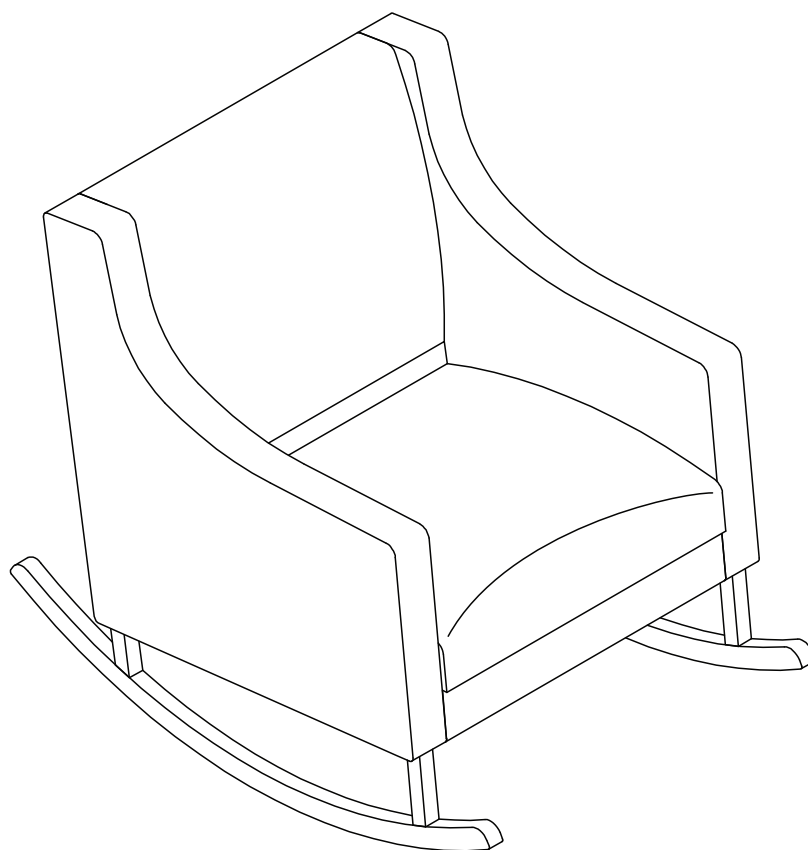
+64 3 384 1858

Our phone lines are available
weekdays 9am to 5pm NZT

Hamptons

Rocking Chair

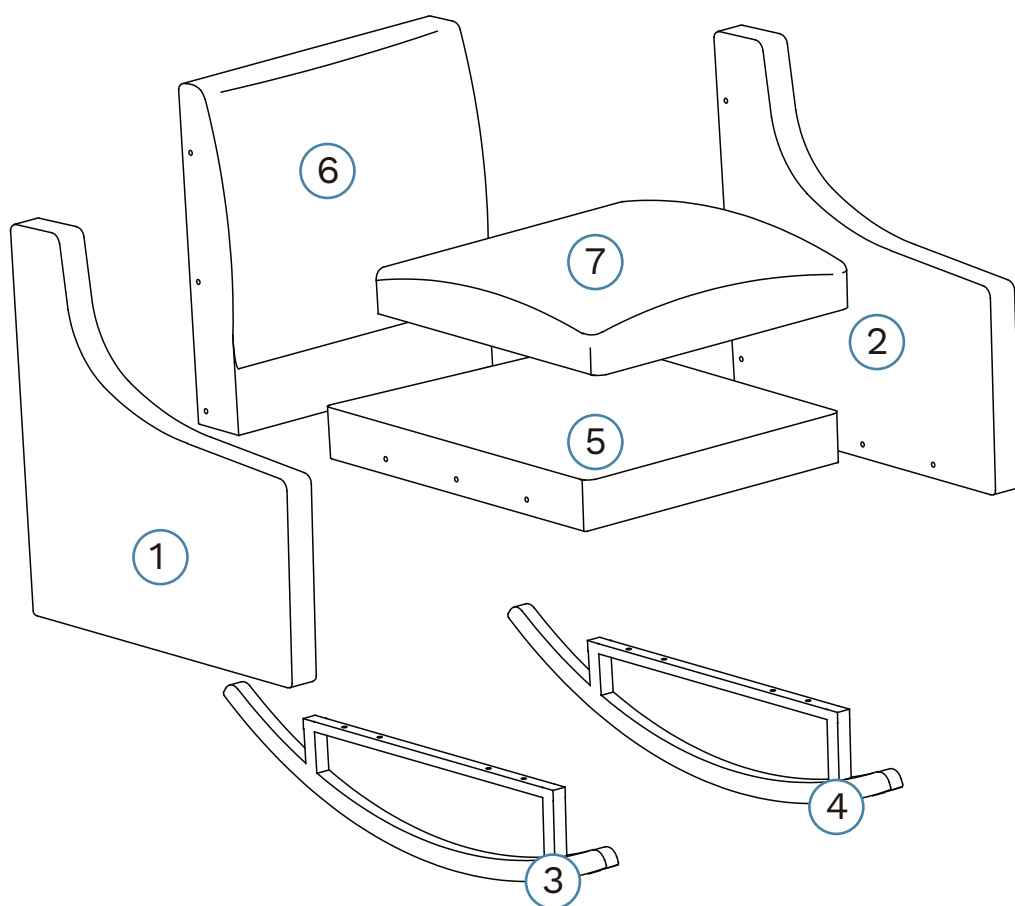
Thank you for your purchase. Please follow the instructions for correct assembly. While we took great effort to ensure these assembly instructions were correct at the time of printing, sometimes updates are required post production. For the most up to date versions please refer to the product page on our website.
mocka.com.au/mocka.co.nz



Hamptons

Rocking Chair

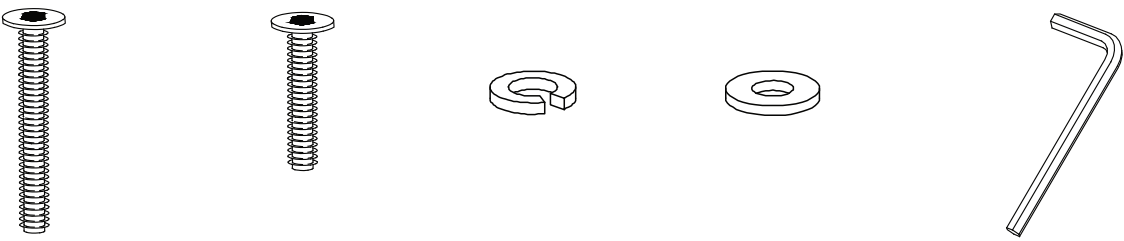
Panel Layout



Hamptons

Rocking Chair

A B C D E







8x bolt 12x bolt 20x spring washer 20x flat washer 1x allen key

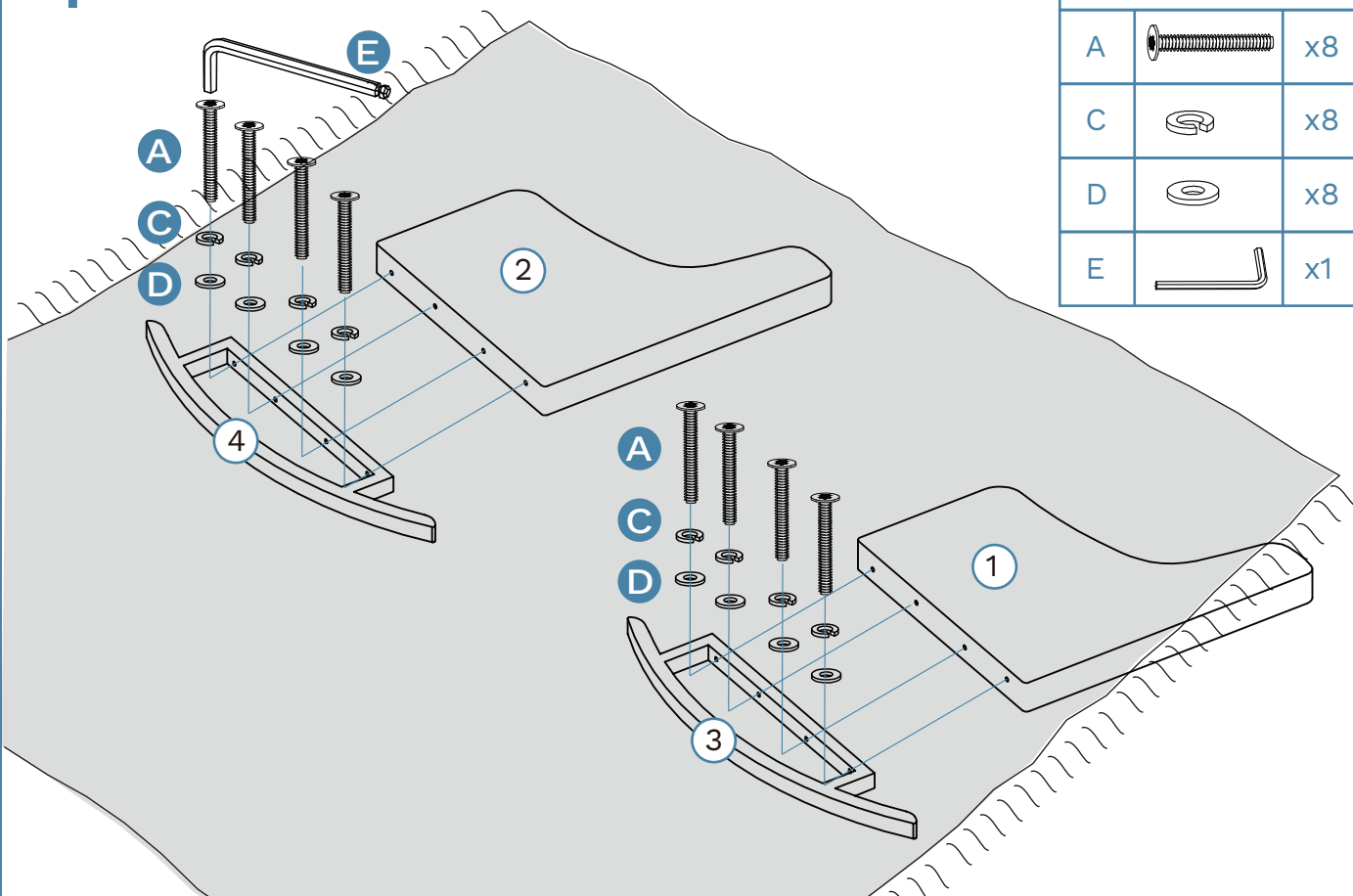
HARDWARE SUPPLIED

Hamptons





Rocking Chair

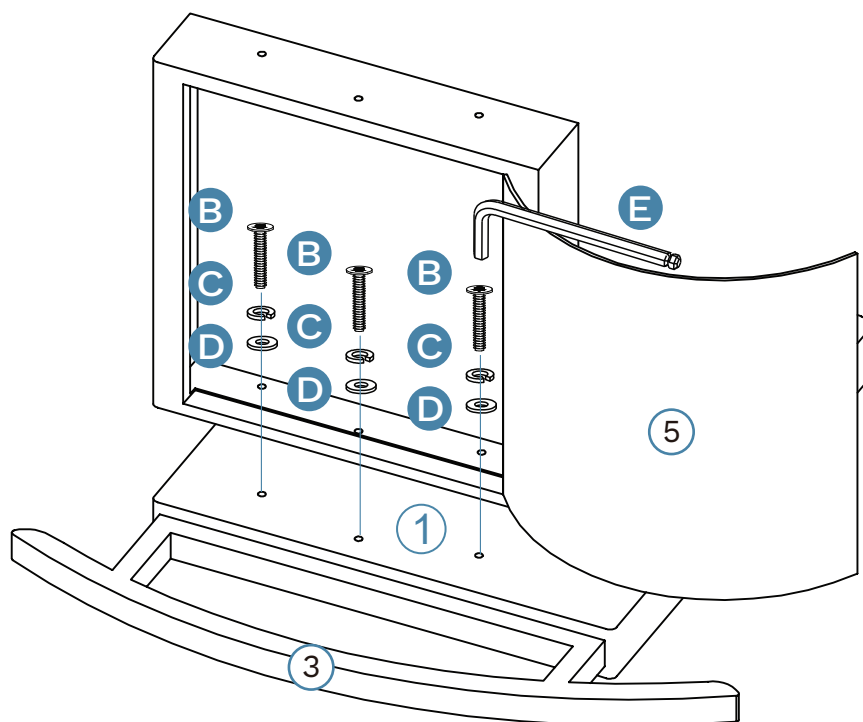
1 *Please assemble it on a rug or other soft surface to avoid marking.

Hardware Needed		
A		x8
C		x8
D		x8
E		x1



2

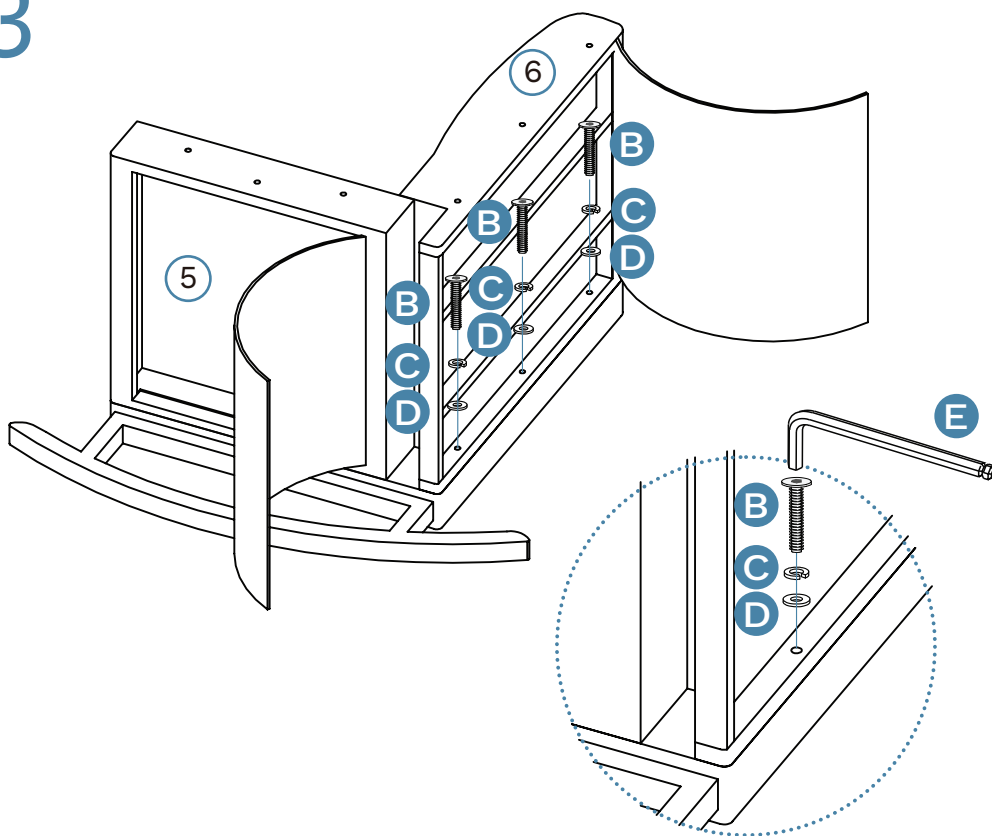
Hardware Needed		
B		x3
C		x3
D		x3
E		x1







Hamptons

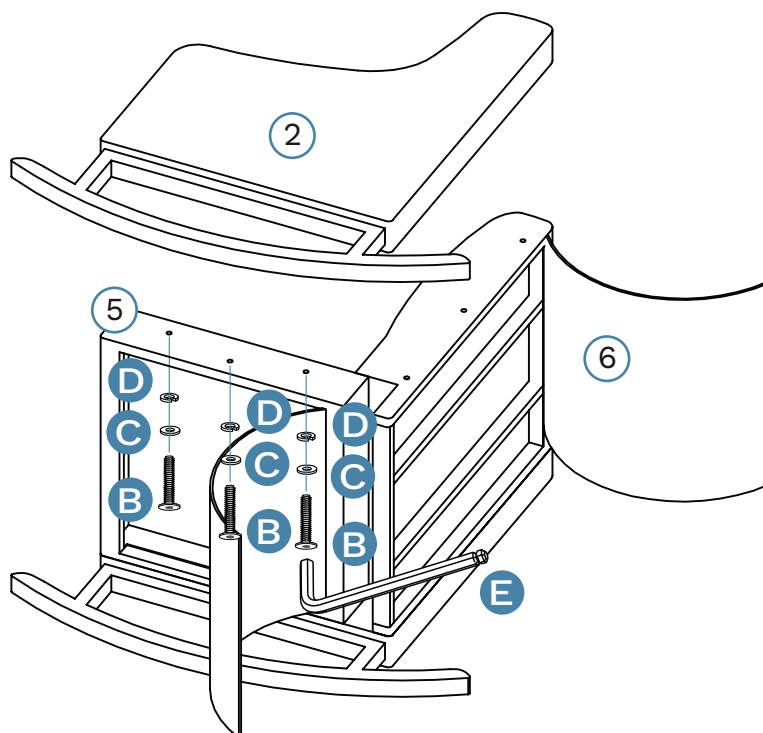
Rocking Chair





3



Hardware Needed		
B		x3
C		x3
D		x3
E		x1

4

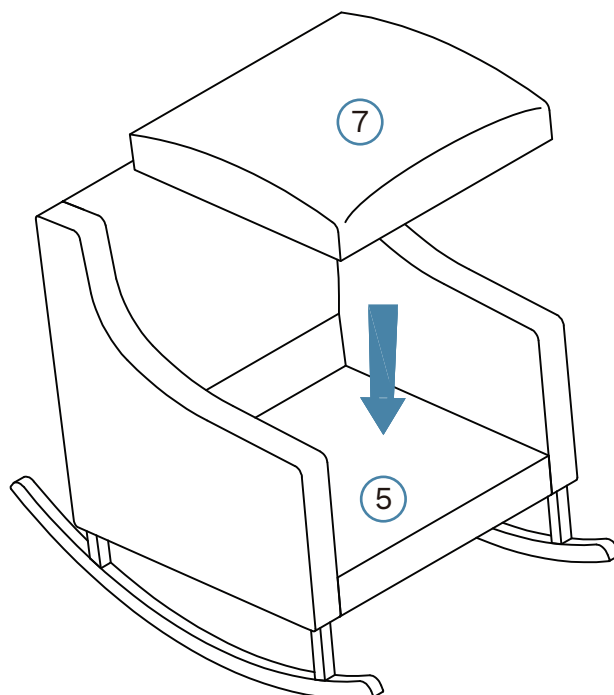


Hardware Needed		
B		x3
C		x3
D		x3
E		x1

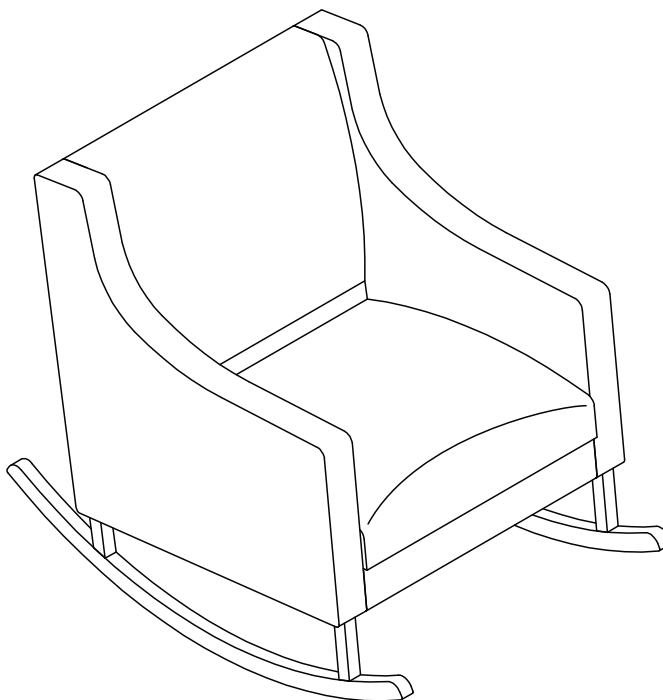
Hamptons

Rocking Chair

5



6



You're done, enjoy!



Love it for longer.

Spot clean only with a clean, damp, undyed cloth. Remove all liquid and food spills immediately. Protect from direct sunlight and heat. Do not use abrasive or common household detergents.



Caring for our world.

In the interest of our environment, please dispose of all packaging thoughtfully.



Good news, you're all done!

Love it and share it on Instagram by tagging

 @mockaaustralia | @mockanz